

Secure Server Canada Universal Waterproof Wiegand Access Card Reader SSCAACCR001

Documentation

Contents

Specifications	2
Requirements.....	3
Sample usage case	3
Wiring Schematic	4

Specifications

RFID Card Support	EM ID Cards or EM Compatible RFID Cards
Interface:	Wiegand 26 Interface 125KHz
Power Requirements:	9-15 V DC at 150 mA
Dimension:	80 x 43 x 13 mm / 3.15 x 1.7 x 0.5 in
Weight:	51 g / 1.81 oz
Frequency:	125KHz
Read range:	Up to 5 cm
Compatible RFID cards:	TK4100/EM4100/EM4200 cards
Material:	PVC & Resin adhesive
Waterproof:	Yes
Dustproof:	Yes
Audio:	Buzzer Signal Output
Visual Indication:	Green and Red LED



Figure 1

Requirements

This card reader is not a standalone card reader and therefore requires the following

- Wiegand access control panel
- Access control power supply
- Electric lock
- Exit button (optional)

Sample usage case

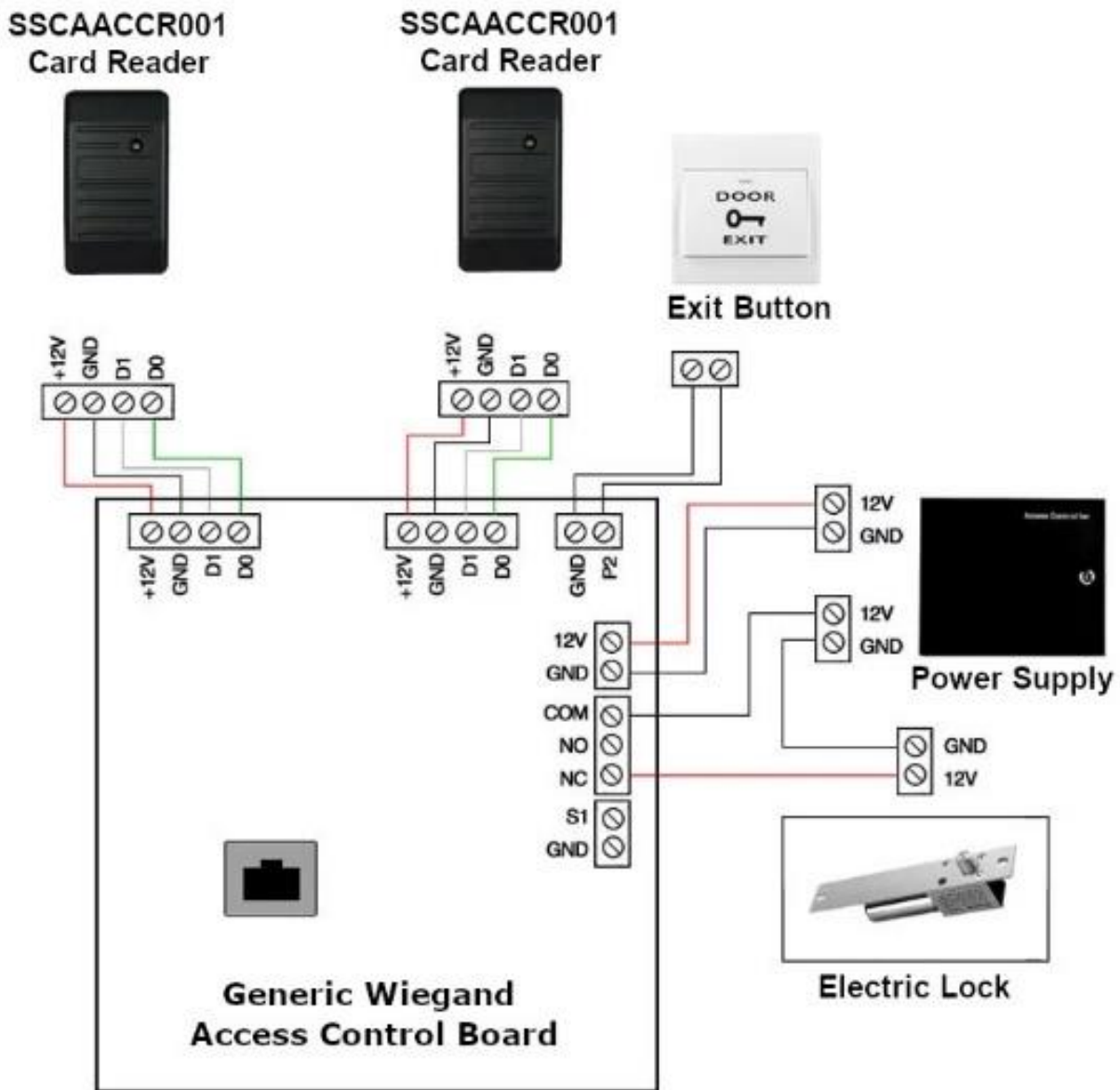


Figure 2

Wiring Schematic

Colour	Type	Required/Optional	Note
Red	DC (+)	Required	Connect to the +12V port on your access control board (see figure 2)
Black	Ground (-)	Required	Connect to the GRD port on your access control board (see figure 2)
Green	Wiegand Data 0 (D0)	Required	Connect to the D0 port on your access control board (see figure 2)
White	Wiegand Data 1 (D1)	Required	Connect to the D1 port on your access control board (see figure 2)
Grey	Beeper	Optional	To activate the beep function of this reader, connect this wire to the Black (ground) wire
Purple	Wiegand 32-bit	Not-required for 26-bit Required for 34-bit	Only use to activate 34-bit Wiegand. To activate 34-bit Wiegand, connect this wire to the Black (ground) wire