

5A 12V Uninterruptible Power Supply/Battery Backup for Access Control Systems/Electronic Locks

SSCA12VUPS5A001

Documentation

Contents

Specifications	2
Requirements.....	3
Sample usage case	3
Wiring Schematic	4

Specifications

Power Requirements:	AC 100 – 260 V, 50 – 60 Hz, 60 W
Output Power:	Adjustable DC 11.5 – 13.5 V, 5 A
Dimension:	210 x 180 x 70mm / 8.27 x 7.09 x 2.76 in
Weight:	970g / 2.14 lb
Charging no-load voltage:	16.5 V
Charging load voltage:	13.8 V
Full battery charge duration:	18 hours for a 12V/7AH battery
Delay time:	Max 15 seconds
Material:	Metal
Waterproof:	No

Requirements

This Uninterruptible Power Supply is not a standalone door access control system and therefore requires the following

- Wiegand access control panel
- Card Reader
- Electric lock
- Exit button (optional)

Sample usage case

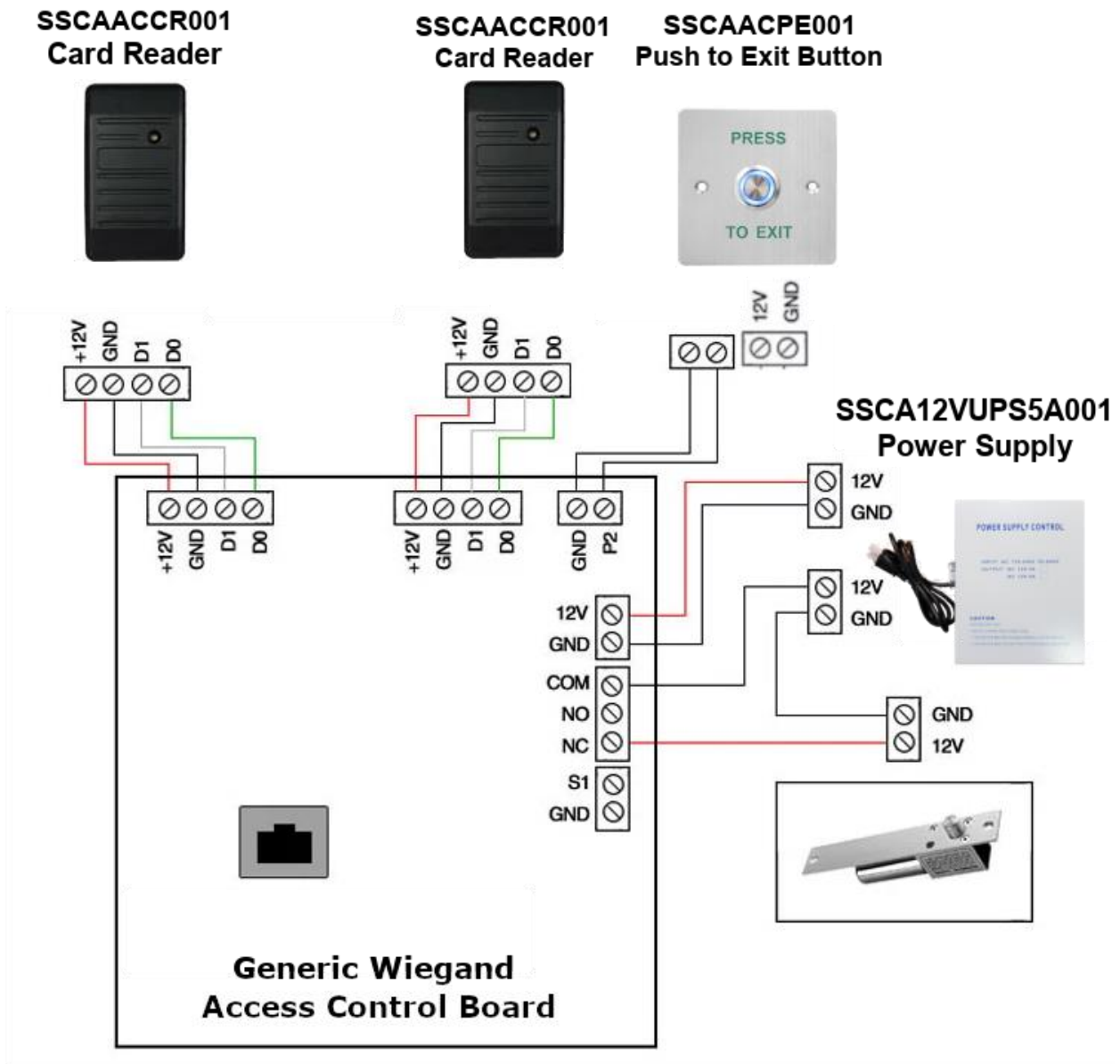


Figure 1

Wiring Schematic

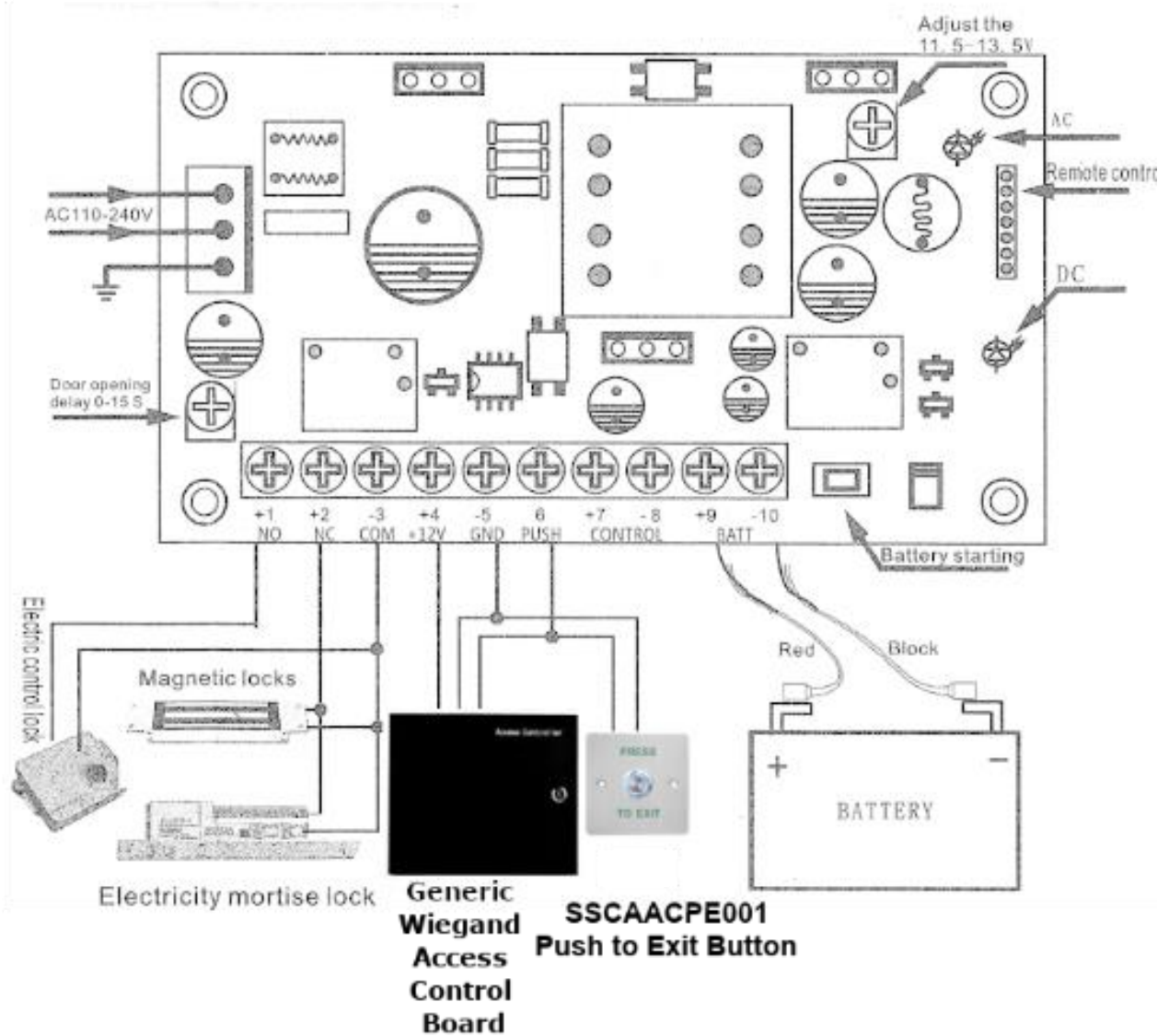


Figure 2

Require more information or assistance?

Please email support@secure-server.ca and we will be happy to answer any questions!