

# Secure Server Canada Universal Waterproof Wiegand Access Card Reader SSCAACCR001

## Documentation

### Contents

Specifications .....	2
Requirements.....	3
Sample usage case .....	3
Wiring Schematic .....	4

## Specifications

RFID Card Support	126kHz EM ID Cards or EM Compatible RFID Cards (does not support HID, Indala, Cobra, APCiK, Paradox, Radio, Honeywell,etc)
Interface:	Wiegand 26 Interface 125KHz
Power Requirements:	9-15 V DC at 150 mA
Dimension:	80 x 43 x 13 mm / 3.15 x 1.7 x 0.5 in
Weight:	51 g / 1.81 oz
Frequency:	125KHz
Read range:	Up to 5 cm
Compatible RFID cards:	TK4100/EM4100/EM4200 cards (does not support HID, Indala, Cobra, APCiK, Paradox, Radio, Honeywell,etc)
Material:	PVC & Resin adhesive
Waterproof:	Yes
Dustproof:	Yes
Audio:	Buzzer Signal Output
Visual Indication:	Green and Red LED



**Figure 1**

## Requirements

This card reader is not a standalone card reader and therefore requires the following

- Wiegand access control panel
- Access control power supply
- Electric lock
- Exit button (optional)

## Sample usage case

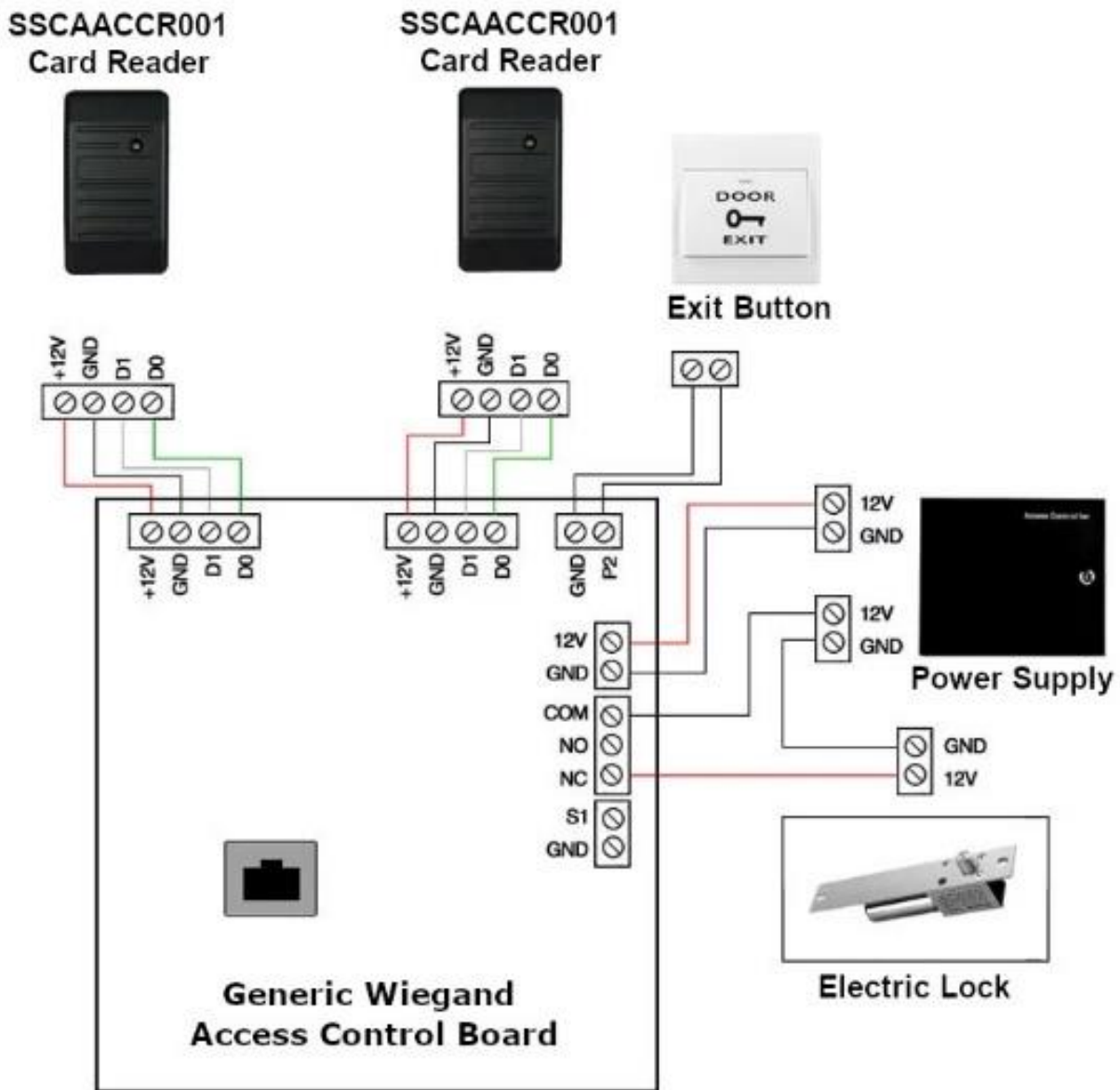


Figure 2

## ***Wiring Schematic***

<b>Colour</b>	<b>Type</b>	<b>Required/Optional</b>	<b>Note</b>
<b>Red</b>	DC (+)	Required	Connect to the +12V port on your access control board (see figure 2)
<b>Black</b>	Ground (-)	Required	Connect to the GRD port on your access control board (see figure 2)
<b>Green</b>	Wiegand Data 0 (D0)	Required	Connect to the D0 port on your access control board (see figure 2)
<b>White</b>	Wiegand Data 1 (D1)	Required	Connect to the D1 port on your access control board (see figure 2)
<b>Grey</b>	Beeper	Optional	To activate the beep function of this reader, connect this wire to the Black (ground) wire
<b>Purple</b>	Wiegand 32-bit	Not-required for 26-bit Required for 34-bit	Only use to activate 34-bit Wiegand. To activate 34-bit Wiegand, connect this wire to the Black (ground) wire